

Vortex Series TOILETS

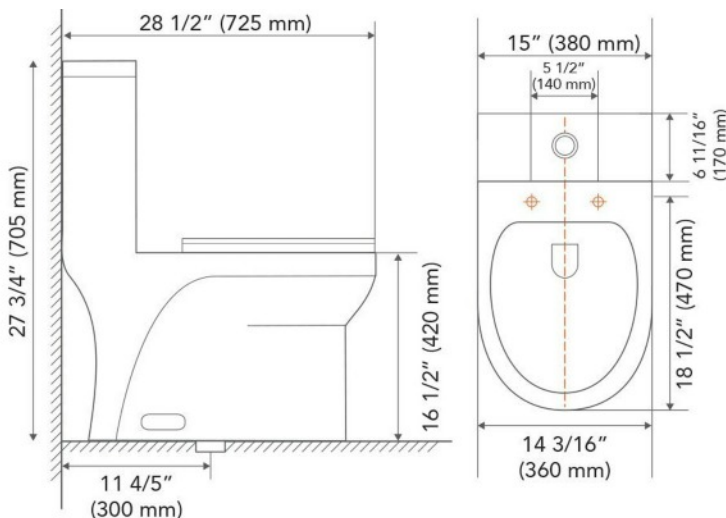


TLT-01-ADA (ADA Compatible)

The unique design of our Vortex toilets adds minimalist and modern styling to your bathroom. Contemporary looks adorn this one-piece perfect height toilet, which delivers bold design with high efficiency water conservation. Our dual Vortex flush toilets activate with the push of a button, offering a choice of 1.6 or 0.8 gallons per flush. At the high-efficiency .08 gpf flush setting, you can save thousands of gallons of water annually over a traditional 1.6-gallon toilet.

This model is ADA compatible.

All Vortex toilets feature a R & T cUPC certified flush valve and are 100% flush and leak tested.



SPECS

SIZE: 28 1/2" x 15" x 27 3/4"

SEAT HEIGHT: 16 1/2"

SEAT TYPE: Soft-close

TRAPWAY: 2" fully glazed

ROUGH-IN: 11 4/5"

FLUSH TYPE: High-efficiency dual flush
(1.6 GPF/0.8 GPF)

COLOR: White

Includes all hardware necessary for installation

DETAILS

PART: _____

QTY: _____

PROJECT: _____

CONTACT: _____

DATE: _____

NOTES: _____

APPROVAL: _____

The Vortex Series toilets carry a limited lifetime warranty for as long as the original purchaser owns the home the toilet was originally installed in.

