

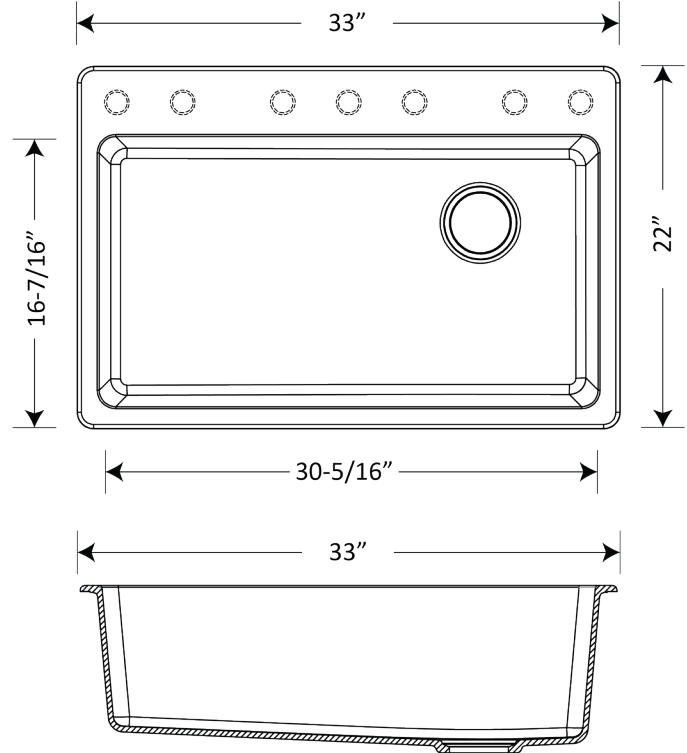
# DURAGRANIT®

## Composite Granite Sinks

**SINK SPECIFICATIONS**  
 Models DUR-105-01, DUR-105-03, DUR-105-04,  
 DUR-105-06, DUR-105-07, DUR-105-08

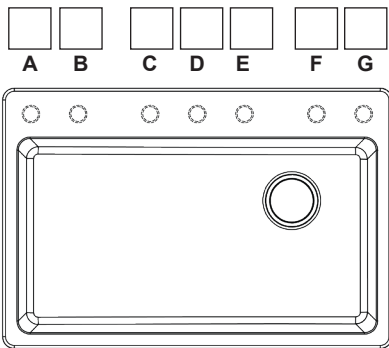
<b>DUR-105-01</b> 2694-4090 Black Sand	<b>DUR-105-03</b> 2693-4190 Iceberg	<b>DUR-105-04</b> 2698-4195 Gray Moon	<b>DUR-105-06</b> 2699-4196 Silver Fox	<b>DUR-105-07</b> 2690-4298 Storm Cloud	<b>DUR-105-08</b> 2692-4290 Eclipse

### Super Single Bowl Kitchen Sink



- DUR-105 - DURAGRANIT SERIES**
- 80% quartz and 20% acrylic resins
  - Undermount or drop-in installation
  - Scratch and stain resistant
  - Heat and acid resistant
  - Non-fading
  - Easy to clean, extremely hygienic
  - Suitable for food preparation
  - Fits 36" cabinet
  - 3 1/2" drain opening

**KNOCKOUT HOLE LOCATION**



**CODE / STANDARDS COMPLIANCE**



**MADE IN INDIA**

Sinks are listed by IAPMO® as meeting the applicable requirements of the Uniform Plumbing Code®, International Plumbing Code®, and National Plumbing Code of Canada. Product Compliance: CSA B45.5-11/IAPMO Z124-201 including Update No. 1 dated May 2012

**JOB INFORMATION**

**JOB NAME:** \_\_\_\_\_ **MODEL SPECIFIED:** \_\_\_\_\_ **QUANTITY:** \_\_\_\_\_

**DATE:** \_\_\_\_\_ **ARCHITECT/ENGINEER:** \_\_\_\_\_

**CUSTOMER:** \_\_\_\_\_ **CONTRACTOR:** \_\_\_\_\_