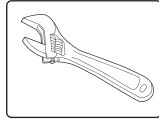


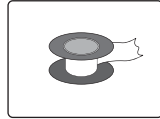
Tools You Will Need



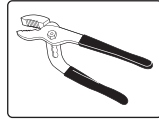
Plumber's putty



Adjustable Wrench



Pipe Tape



Groove joint plier

Tips for Successful Installations

- Use joint compound or Teflon® tape on all threaded connections to prevent leaks.
- Use a soft cloth to protect the faucet's finish when using a wrench, pliers or other tools that could scratch the faucet.
- Tighten all hose connections by hand. Do not over tighten.
- Before turning main water supply back on, open several faucets around the house to prevent pressure from building up. Remove aerator from faucet before turning on water. Flush drain for several minutes before replacing aerator. DO NOT use joint compound or Teflon® tape to reconnect aerator.
- If you experience problems with the installation consult a professional plumber.

GT2630 Pop-up assembly

**Install Pop-up assembly :**  
Separate drain collar from pop-up assembly.

Apply silicon caulking to underside of drain collar. **NOTE: Use of anything other than silicon caulking, such as plumbers putty as this will VOID the finish warranty.** Or use rubber washer if supplied.

Insert drain body from underside through sink. Slowly screw on drain collar, align with ball rod hole facing back wall, then gently pull down into sink and firmly tighten brass nut from below keeping rubber washer aligned while tightening.

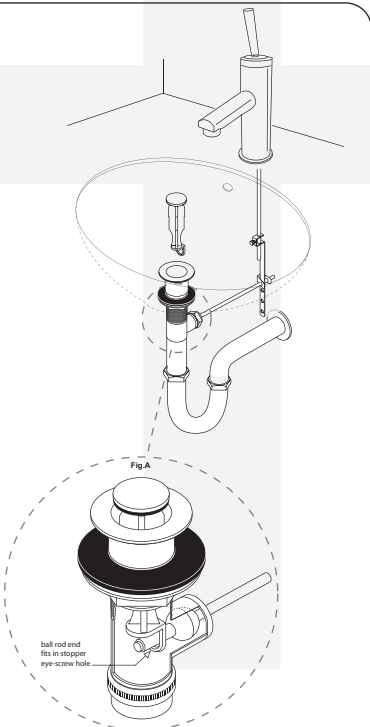
Insert stopper in collar and hold with eye-screw hole facing back. If necessary, adjust stopper eye screw height by loosening lock nut and rotating counter-clockwise. Tighten lock nut

Fit cone washer and nut to ball rod.

Insert ball rod into drain body below so short end of ball rod end fits in stopper eye-screw hole (See Fig A). Be sure that the two ball joint plastic washers are on both sides of the ball rod when installing. Screw on ball rod nut(do not over tighten). Ball rod must move up & down freely

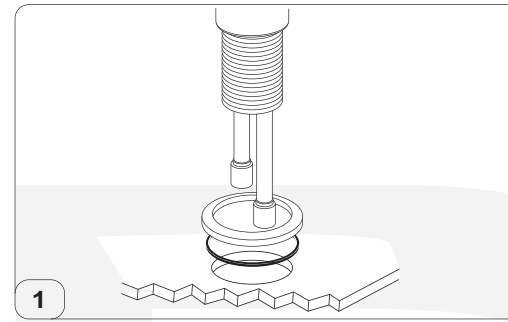
Insert lift rod through top of spout and then through hole rod strap underneath sink. Tighten thumb-screw of hole rod strap underneath sink. Tighten thumb-screw of hole rod strap against lift rod and connect to ball rod by gently pinching locking spring clip and sliding one side of spring clip off ball rod.

Insert hole strap onto ball rod, then reattach locking spring clip.



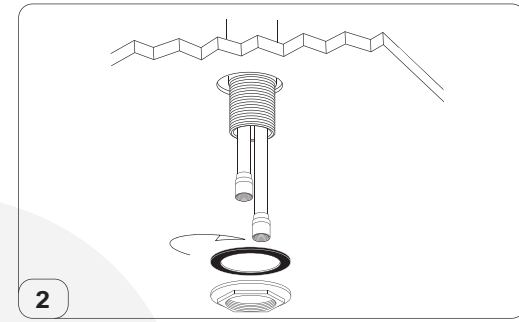
ball rod end fits in stopper eye-screw hole

Fig A



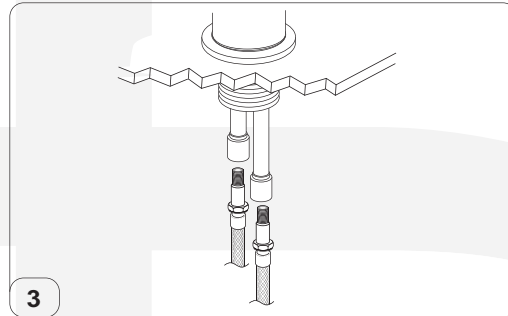
1

Set the flange and rubber washer on the sink surface. Be sure that the rubber washer is securely placed inside the flange and center over the hole in the counter top. This will make it easier to slide the entire faucet and supply lines through with out any complications.



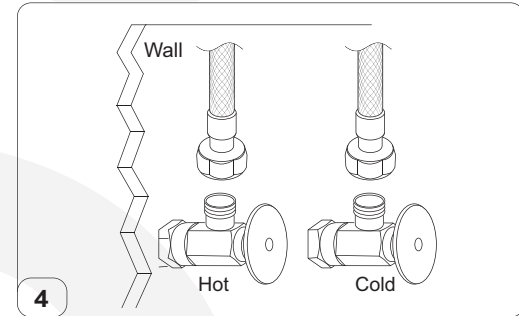
2

Guide both the flexible supply hoses and the longer threaded part of the extension piece through the flange and the hole in the counter top. Then run the supply hoses through the brass lock nut. Then attach the large brass nut to the threaded piece and hand tighten. Then align the spout and handle into desired position, and tighten completely. DO NOT OVER TIGHTEN.



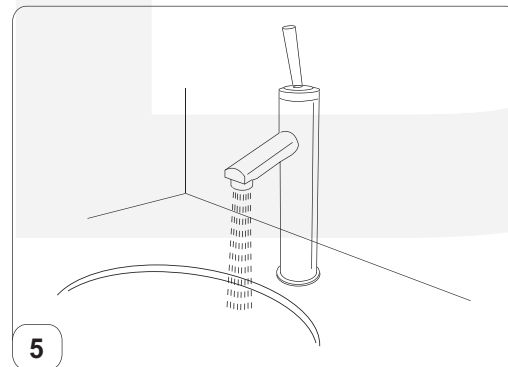
3

Guide the water supply lines through the extension and screw the extension tight into the faucet. Make sure that the shorter threaded side of the extension piece is facing up. Next prepare to slide faucet through the flange and the hole in the counter top.



4

Once the faucet is securely installed on the counter surface go ahead and connect the hot and cold water supply lines coming from the wall to the supply lines coming out of the base of the faucet.



5

Flush system. Turn main water supply on. Turn on faucet handle and sprayer. Let run for two minutes. Replace aerator. Check for leaks.



Help Info? Please call Toll-FREE customer service line at 1-800-888-6604 for additional assistance service.