

W8180201-1 W81820129-1 - Single Hole Lavatory Faucet

Description

- Lavatory
- Ceramic disc cartridge
- Single brass handle w/ volume control
- All brass construction
- 20" Long SS flex hoses with 3/8" compression nuts
- With brass pop-up assembly

Standards

- Complies with IAPMO UPC/cUPC
- California AB1953 compliant
- NSF - 61-9 tested and compliant
- ADA Accessibility Guidelines for Buildings and Facilities - 4.27.4 Controls and Mechanisms
- CALGreen compliant
- EPA WaterSense Certified by IAPMO R&T



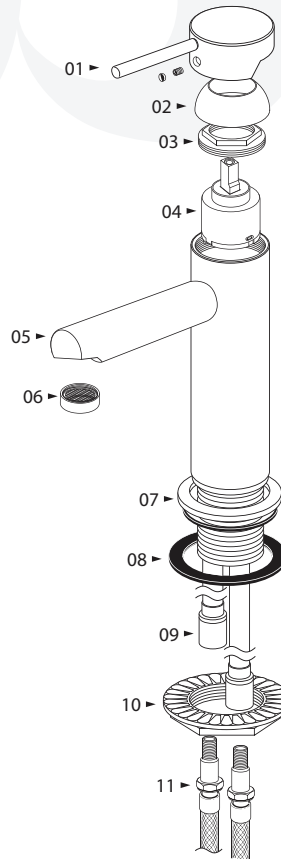
• W8180229-1

Colors / Finishes

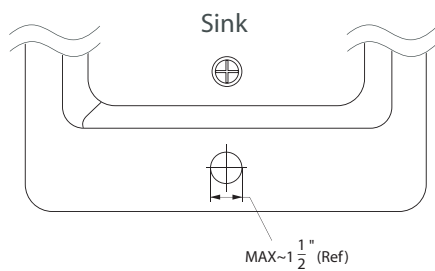
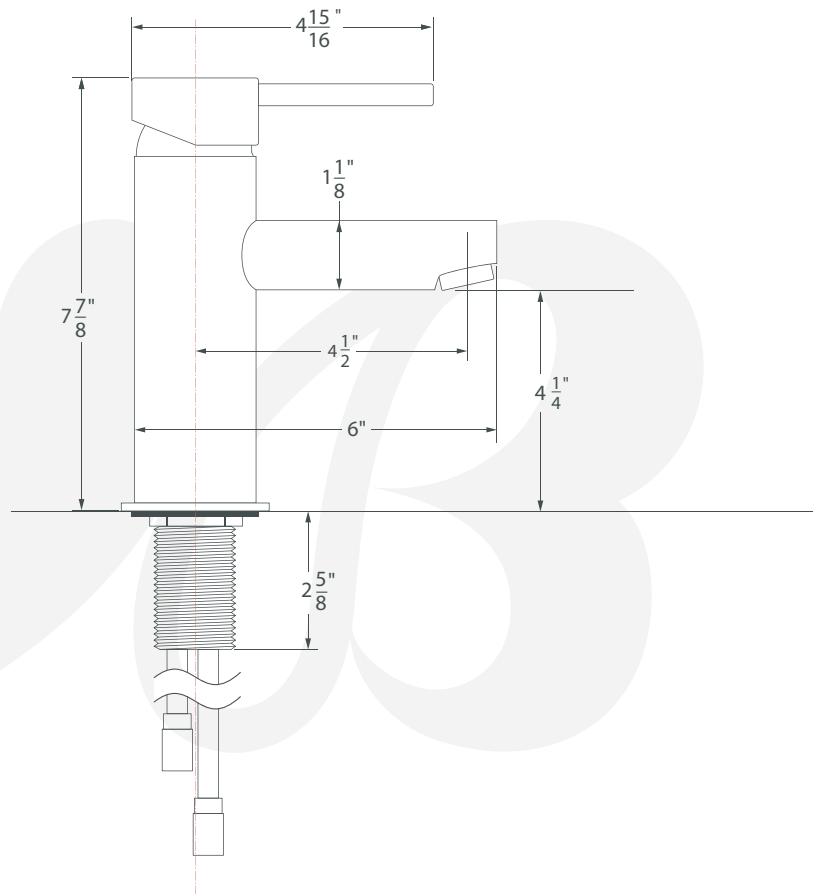
- W8180101-1 - Chrome
- W8180129-1 - PVD Satin Nickel

**BREAK DOWN
Component Parts List**

#	PART NAME	QTY
1	HANDLE W / SET SCREW & INDEX BUTTON	1
2	CAP	1
3	CARTRIDGE LOCK NUT	1
4	CARTRIDGE	1
5	CAP	1
6	AERATOR	1
7	FLANGE	1
8	RUBBER WASHER	1
9	WATER WAY	1
10	LOCK NUT	1
11	HOSE	1



SPECIFICATION



Item Number	Type	Date
W8180201-1, W8180229-1	Lavatory	3/4/2016