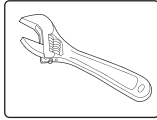


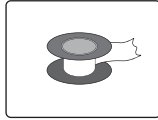
Tools You Will Need



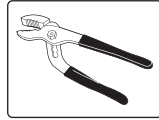
Plumber's putty



Adjustable Wrench



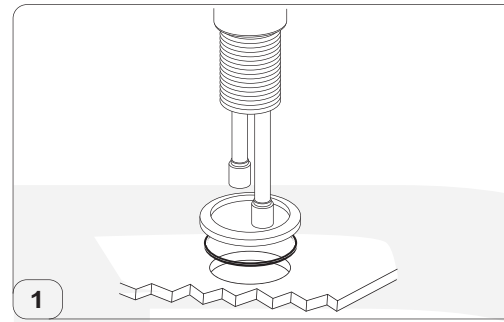
Pipe Tape



Groove joint plier

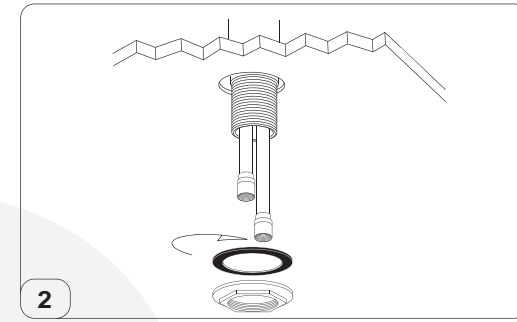
Tips for Successful Installations

- Use joint compound or Teflon® tape on all threaded connections to prevent leaks.
- Use a soft cloth to protect the faucet's finish when using a wrench, pliers or other tools that could scratch the faucet.
- Tighten all hose connections by hand. Do not over tighten.
- Before turning main water supply back on, open several faucets around the house to prevent pressure from building up. Remove aerator from faucet before turning on water. Flush drain for several minutes before replacing aerator. **DO NOT** use joint compound or Teflon® tape to reconnect aerator.
- If you experience problems with the installation consult a professional plumber.



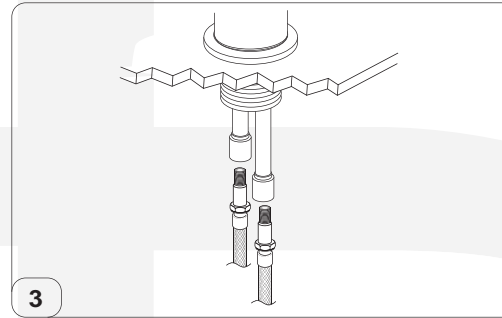
1

Set the flange and rubber washer on the sink surface. Be sure that the rubber washer is securely placed inside the flange and center over the hole in the counter top. This will make it easier to slide the entire faucet and supply lines through with out any complications.



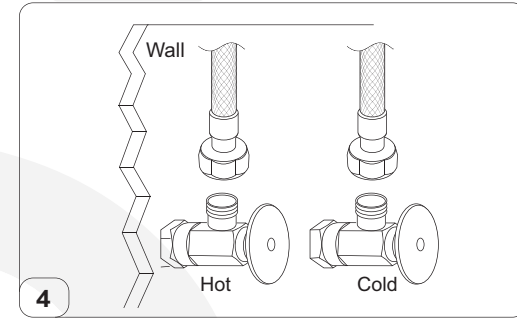
2

Guide both the flexible supply hoses and the longer threaded part of the extension piece through the flange and the hole in the counter top. Then run the supply hoses through the brass lock nut. Then attach the large brass nut to the threaded piece and hand tighten. Then align the spout and handle into desired position, and tighten completely. **DO NOT OVER TIGHTEN.**



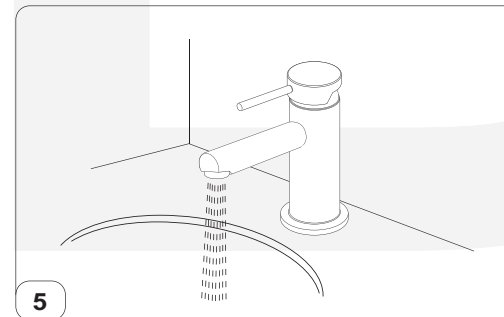
3

Guide the water supply lines through the extension and screw the extension tight into the faucet. Make sure that the shorter threaded side of the extension piece is facing up. Next prepare to slide faucet through the flange and the hole in the counter top.



4

Once the faucet is securely installed on the counter surface go ahead and connect the hot and cold water supply lines coming from the wall to the supply lines coming out of the base of the faucet.



5

Flush system. Turn main water supply on. Turn on faucet handle and sprayer. Let run for two minutes. Replace aerator. Check for leaks.



Help Info? Please call Toll-FREE customer service line at 1-800-888-6604 for additional assistance service.