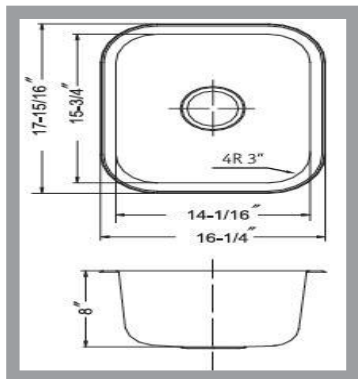


*Style at a Glance;  
Quality All Around.*



1 Pc/5Pcs  
20/21" x 18" x 10/19"  
Weight 8/37

**"N-Series Stainless Steel Sinks"**

- ✓ **Stainless Steel is the Best Hygienic Sink Choice on the Market**
- ✓ **Stainless Steel Resists Bacteria & Does Not Rust**
- ✓ **304 Premium Stainless Steel**
- ✓ **18 Gauge (1.2 mm thickness) or 16 Gauge (1.5 mm thickness)**
- ✓ **Standard 3 1/2" Drains**
- ✓ **High Quality 2-Piece Weld Process for Double Bowls**
- ✓ **DuraBrace Welded Support Brackets for the Ultimate Sink Strength**
- ✓ **SoundOff Pads to Absorb Sound**
- ✓ **Levi Choice Insulation Spray to Reinforce Sound Absorption and Prevent Condensation**
- ✓ **Brush Finish to Hide Scratches**
- ✓ **Grids Available to Minimize Scratches**
- ✓ **cUPC Certified**
- ✓ **Undermount Clips & Flush Mount Template Included for Easy Installation**
- ✓ **DXF File Available on Website**
- ✓ **Visit Our Website for Maintenance & Warranty Info**

**S-NSB**



**16-1/4" x 17-15/16" x 8"**

**Sink Options Available**

**18 Gauge: S-NSB**

**Grid: SA-GRE**

**Other Accessories: SA-Garbage Disposal,  
SA-Strainer**



*There are some things you  
shouldn't have to worry about.*